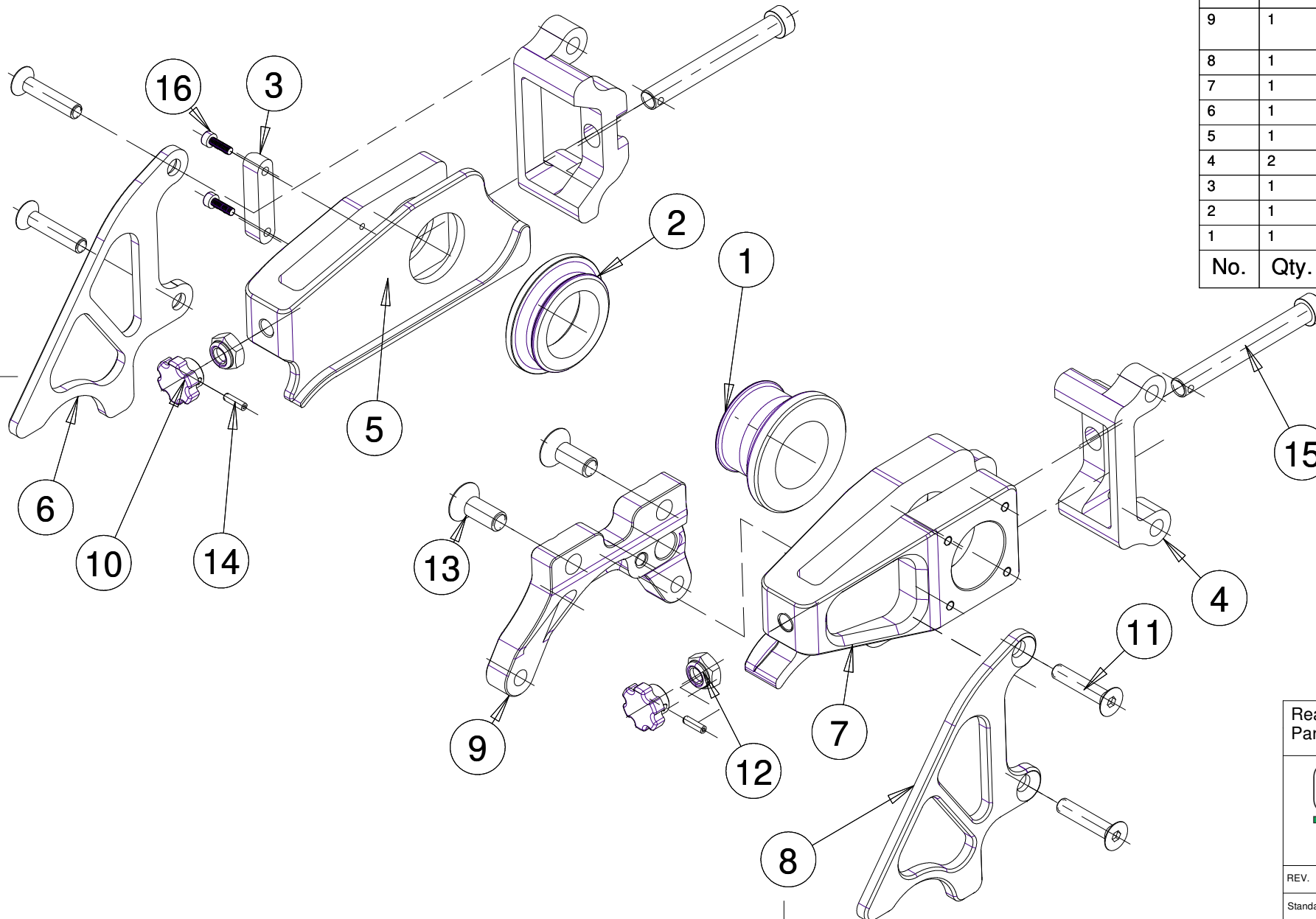


Application: Honda CBR 1000 RR-R / SP from m.y. '20



16	2	Screw ISO 4762 M3x10
15	2	Adjustment PIN
14	2	din 913-M3x10
13	2	M8 X 20
12	2	Self locking nut M8
11	4	M6 X 30
10	2	Handle
9	1	OEM Brembo caliper bracket - 84 mm interaxis
8	1	Stand support RH
7	1	Sliding system RH
6	1	Stand support LH
5	1	Sliding system LH
4	2	Pin constrain LH_RH
3	1	Axle lock
2	1	Wheel bush LH
1	1	Wheel bush RH
No.	Qty.	Standard Number

Rear wheel quick change system
Part list



REV. 00 DWG. No. QCSHO001B01

Standard color: BLACK

